

Vinyl Pergola & Arbor Systems



Quality Products From Our Family To Yours

Shoreline Vinyl Systems, Inc. is a family owned and operated vinyl pergola, arbor, fencing and railing fabrication company located in the Mid-Atlantic region. As a family of construction industry professionals, we consider quality service and customer satisfaction our top priority. We specialize in the design and fabrication of quality vinyl and aluminum products that are built to last, easy to install, and are low-maintenance to provide you with years of lasting beauty without worry of rotting, cracking, peeling or painting.

We offer a broad selection of pergola and arbor building materials, and can custom cut to your specifications. Routed holes are consistent and sized with close tolerances, providing not only a great fit, but a quality appearance as well.

For your unique pergola and arbor projects, you can rest assured that we will work closely with your authorized Shoreline Vinyl Systems dealer-contractor as a team to deliver the best quality pergola and arbor products in a timely manner for you to enjoy for a lifetime.

LIFETIME WARRANTY



- All pergola and arbor systems are 100% vinyl
- Never need painting
- Won't rust, rot, crack, or peel
- No splinters
- Easy installation
- A variety of components & materials to choose from
- Mix and match parts to design a pergola or arbor to fit your own unique project for deck, patio, walkway, or yard
- Obtain the desired amount of shade by the spacing between stringers and spacing between balusters



Be sure to visit www.shorelinevinyl.com
for the latest version of this brochure!

**Pergolas bring the Renaissance to
your garden, patio, or deck.**

Westport style pergola, attached to home, with optional balusters.

STRATFORD PERGOLA

The Stratford style is a custom curved / arched pergola. The maximum span for the curved 2" x 6" stringer is 12 feet. If the curved 2" x 6" stringer is 10 feet or longer, an aluminum insert is required. May be either a single- or double-header 2" x 6" or 2" x 8". Columns may be square posts in 4", 5", 6", or 8" square or round columns in 8" or 10". Balusters of 1 1/2" x 1 1/2" are optional. May be free-standing or attached. Lattice is also optional.



WESTPORT PERGOLA

The Westport style is a double-header pergola using 2" x 6" or 2" x 8" header(s). Columns may be square posts in 4", 5", 6", or 8" square or round columns in 8" or 10". Balusters of 1 1/2" x 1 1/2" are optional. May be free-standing or attached. Lattice is also optional.



FAIRFIELD PERGOLA

The Fairfield style is a single-header pergola using 2" x 6" or 2" x 8" header. Columns may be square posts in 4", 5", 6", or 8" square. Balusters of 1½" x 1½" are optional. May be free-standing or attached. Lattice is also optional.



BRIDGEPORT PERGOLA

The Bridgeport style is a routed, free-standing, corner pergola. May be either 2" x 6" or 2" x 8" single-header. Columns may be square posts in 4", 5", 6", or 8" square. Balusters of 1½" x 1½" are optional. Lattice is also optional.



NORWICH ARBOR

The Norwich style arbor has a pergola-like top design using headers and stringers, a grid panel on each side, and freestanding with square posts.



NEWPORT ARBOR

The Newport style arbor has a pergola-like top design using headers and stringers, square posts, and side panels with accent pickets above square lattice. An excellent medium for growing healthy vines.



PROVIDENCE ARBOR

The Providence style freestanding arbor is 4-feet wide and has an arched top with keystone peak, square posts, 1½" x 1½" balusters to accent the top, and side panels of diagonal lattice to support vines. A gate is optional.



WOODBRIAGE ARBOR

The Woodbridge style is designed to be incorporated with a fence or railing as an elegant 4-foot wide entranceway. This arbor has an arched top with keystone peak, square posts, 1½" x 1½" balusters to accent the top, and side panels of matching fence or railing. A gate is optional.



BERKSHIRE ARBOR

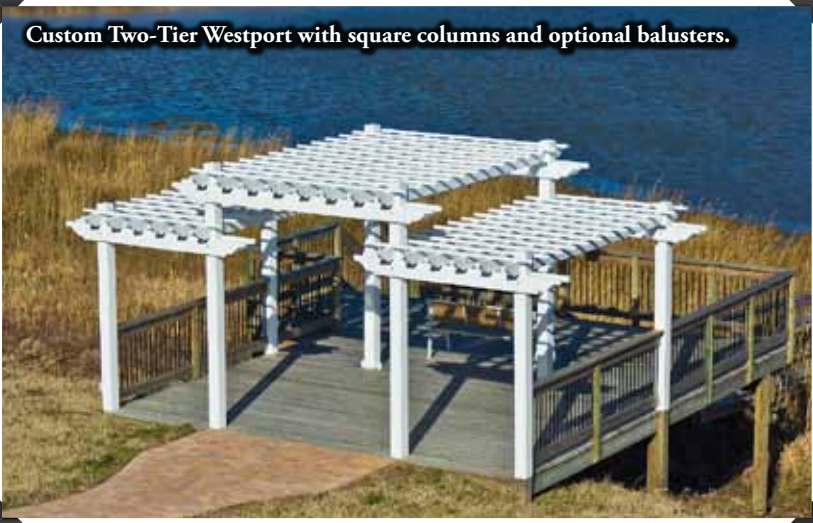
The Berkshire style freestanding arbor has a semi-arched top accented with 1½" x 1½" balusters, square posts, and side panels of contemporary square-baluster fence sections on top and bottom with open space between sections. A gate is optional.



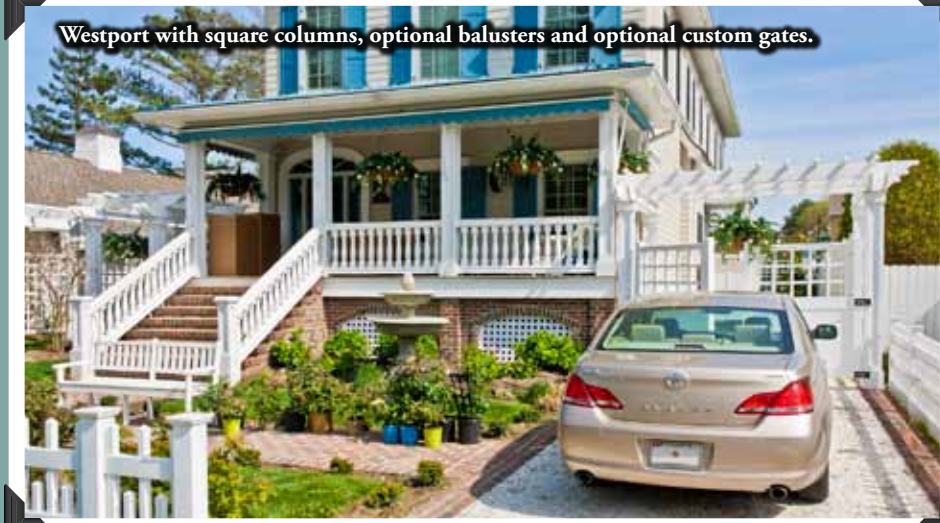
SMITHFIELD ARBOR

The Smithfield style freestanding arbor has a flat top with 1½" x 1½" accent balusters, square posts, and side panels of diagonal lattice in the upper two-thirds and contemporary square-baluster fence sections on the bottom third. A gate is optional.

Custom Two-Tier Westport with square columns and optional balusters.



Westport with square columns, optional balusters and optional custom gates.



Custom Fairfield.



Westport attached with square columns.



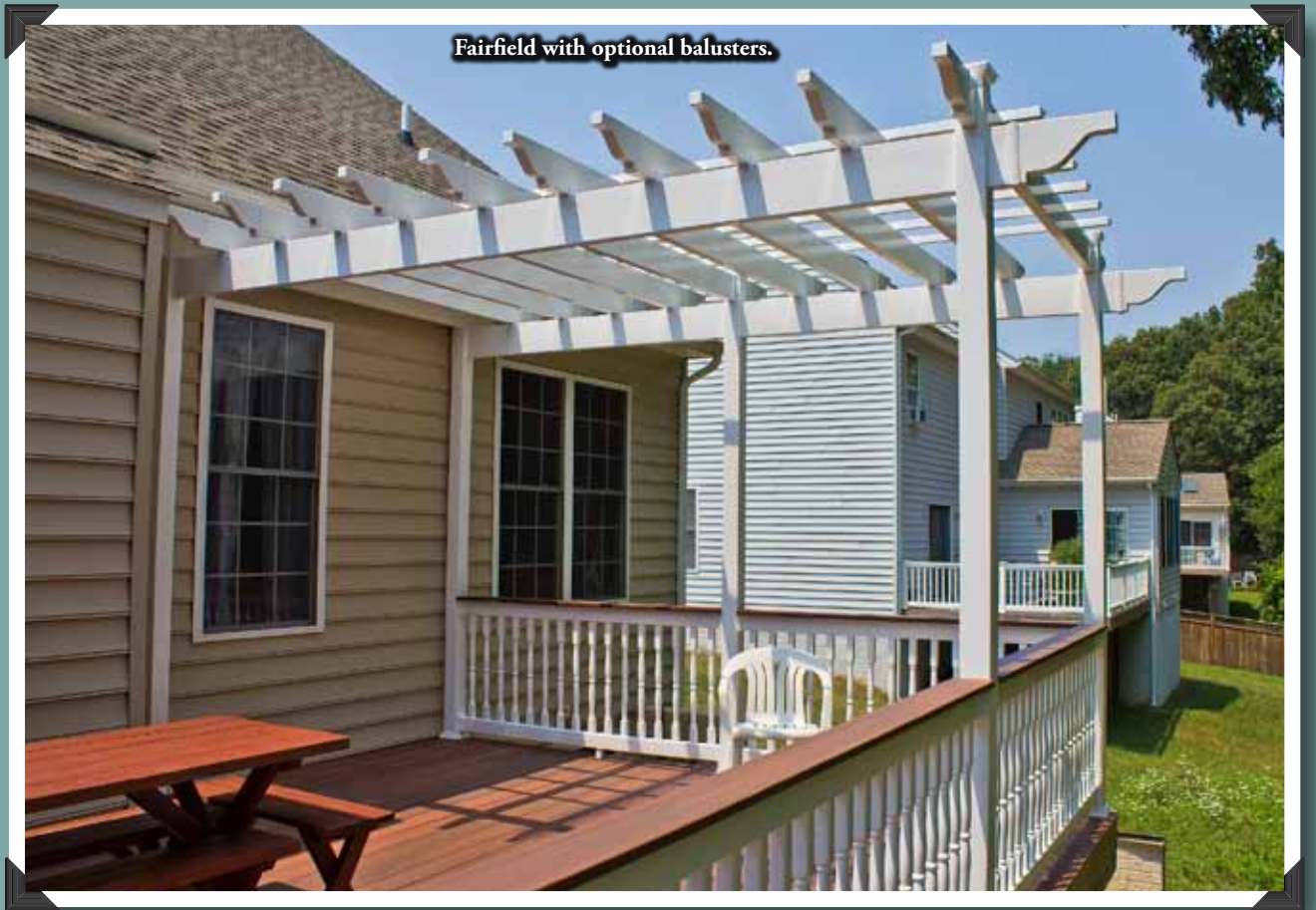
Westport with round tapered columns and optional balusters.



Westport with square columns and optional balusters.



Newport



Fairfield with optional balusters.

Custom Westport with round tapered columns and optional 2" x 3½" Balusters.



Custom Bridgeport using radius bent headers** and 2" x 3½" balusters.



Bridgeport with optional balusters.



** NOTE: The maximum span for radius bent 2" x 6" headers and 2" x 3½" headers is 11 feet.

Custom Fairfield using square posts and optional square lattice side panels.



Custom Westport with contractor-designed posts, optional balusters, and grid side panels.



Custom Westport, attached, using square posts.



Custom Stratford with square posts, double-stringer decorative ends, and optional balusters.



Custom Westport, attached, using square posts.



Westport pergola using round tapered columns and optional balusters. Woodbridge arbor also shown.



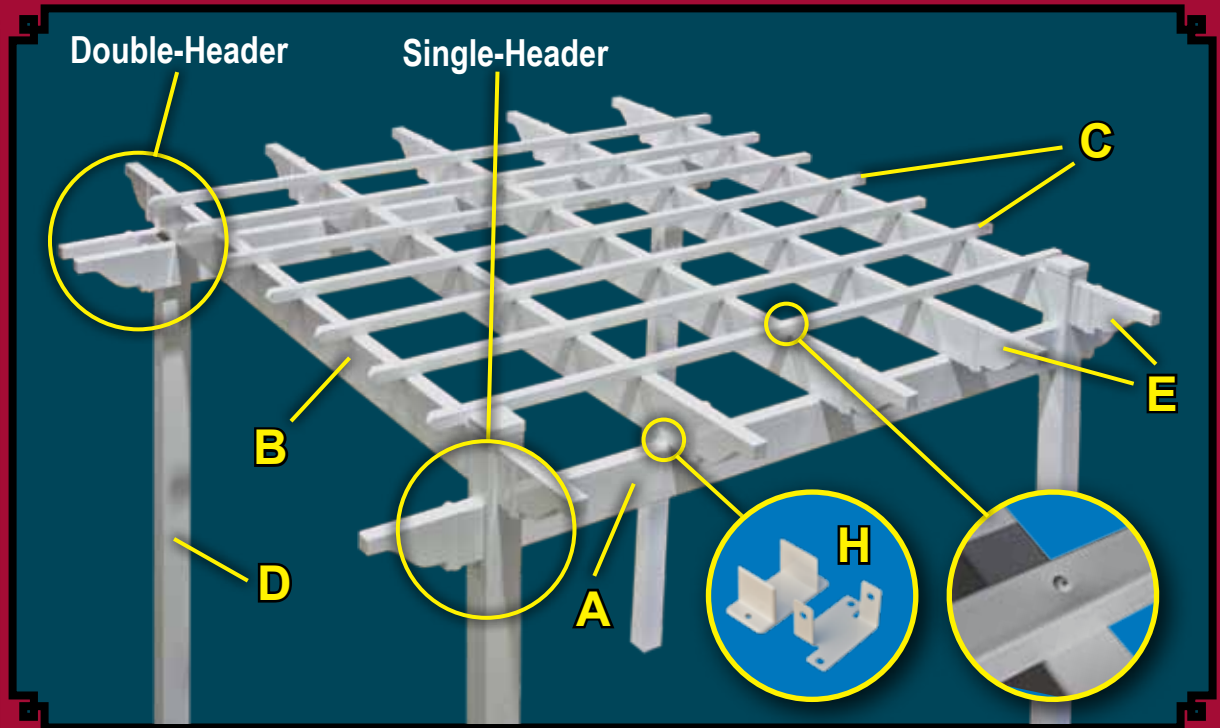
Westport using round tapered columns.

DISCLAIMER:

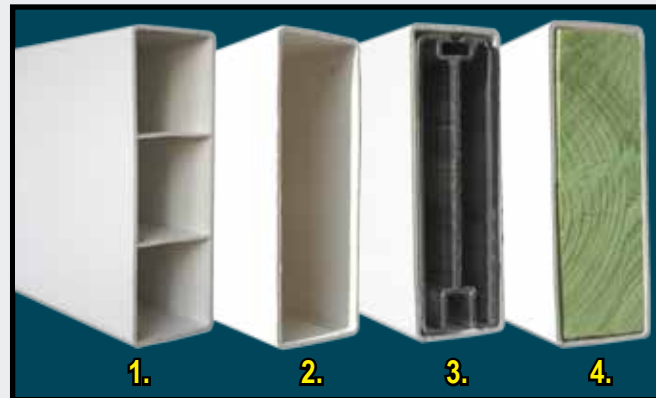
The information in this brochure is provided as a service to introduce you to our products. Due to the nature of economics, the actual materials, colors, and profiles used for fabrication of past products, including products portrayed in this brochure, are not guaranteed to be available for future products. All information, data and images contained in this brochure are believed by us to be accurate and truthful, but we can not, and do not, guarantee or warrant the accuracy of any statement, data or image contained in this brochure. Only our actual product warranty makes any warranty whatsoever with respect to any of our products. Without limiting the foregoing disclaimer of warranties, we and our agents, officers and employees DISCLAIM ANY IMPLIED WARRANTIES OF MERCHANTABILITY AND ANY IMPLIED WARRANTIES OF FITNESS FOR ANY PARTICULAR PURPOSE of any product provided by us.

COMPONENTS LIST

- A - Headers (2" x 6" or 2" x 8")
- B - Stringers (2" x 3½", 2" x 6", or 2" x 8")
- C - Balusters (1½" x 1½")
- D - Square Posts (4" x 4", 5" x 5", 6" x 6", 8" x 8")
- E - Scroll Caps (2" x 3½", 2" x 6", 2" x 8")
- F - Flat End Caps (2" x 3½", 2" x 6" or 2" x 8")
- G - Baluster Caps (1½" x 1½")
- H - Stringer Brackets / Clips (1½" x 1½", 2" x 2")
- J - Joist Hanger (2" x 6")
- K - Extension Coupler (2" x 6")
- M - Round Columns (8" Straight, 8" Tapered, or 10" Tapered)
- N - Round Column Pergola Bracket
- S - Screws (5", 2¼", ¾" wood and ¾" hex head)

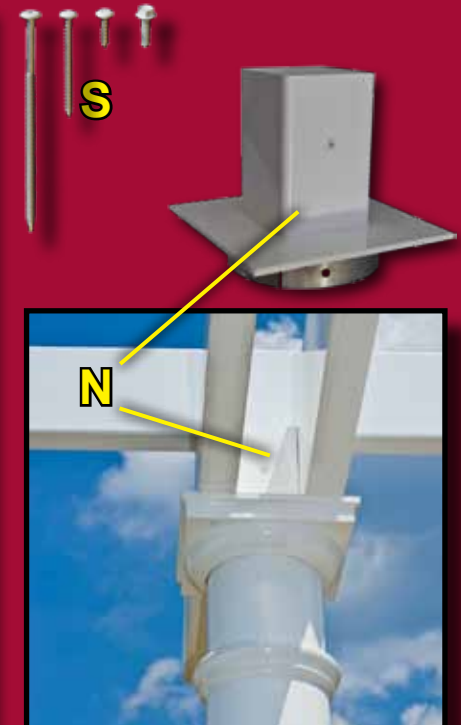


HEADER / STRINGER OPTIONS*

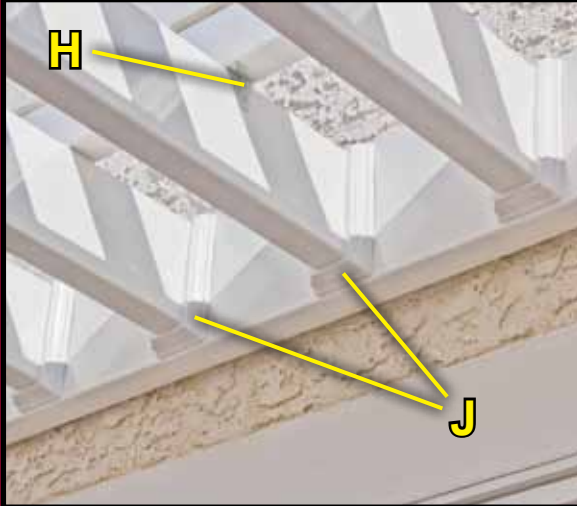
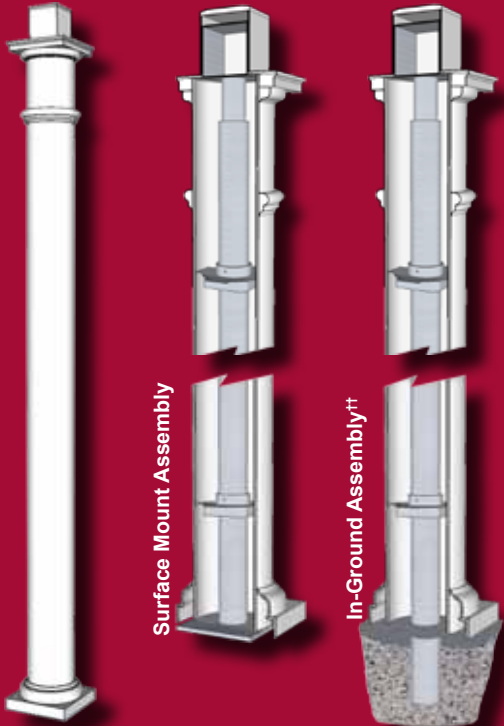
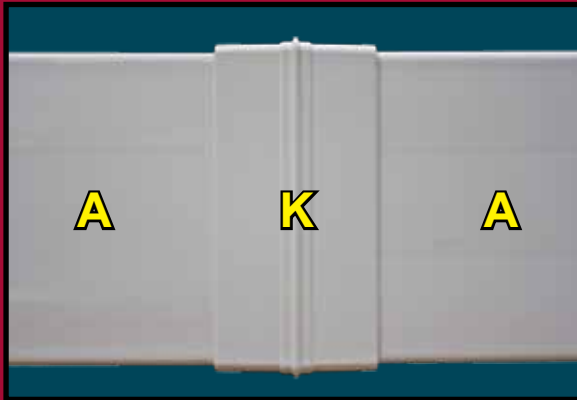
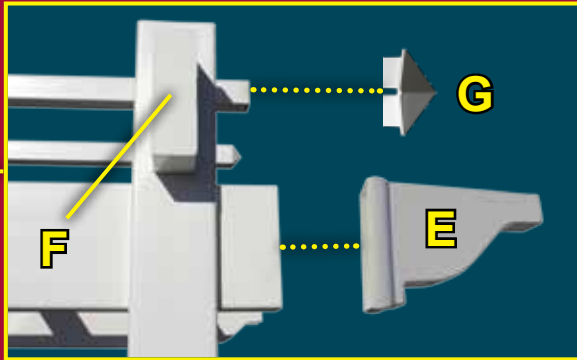
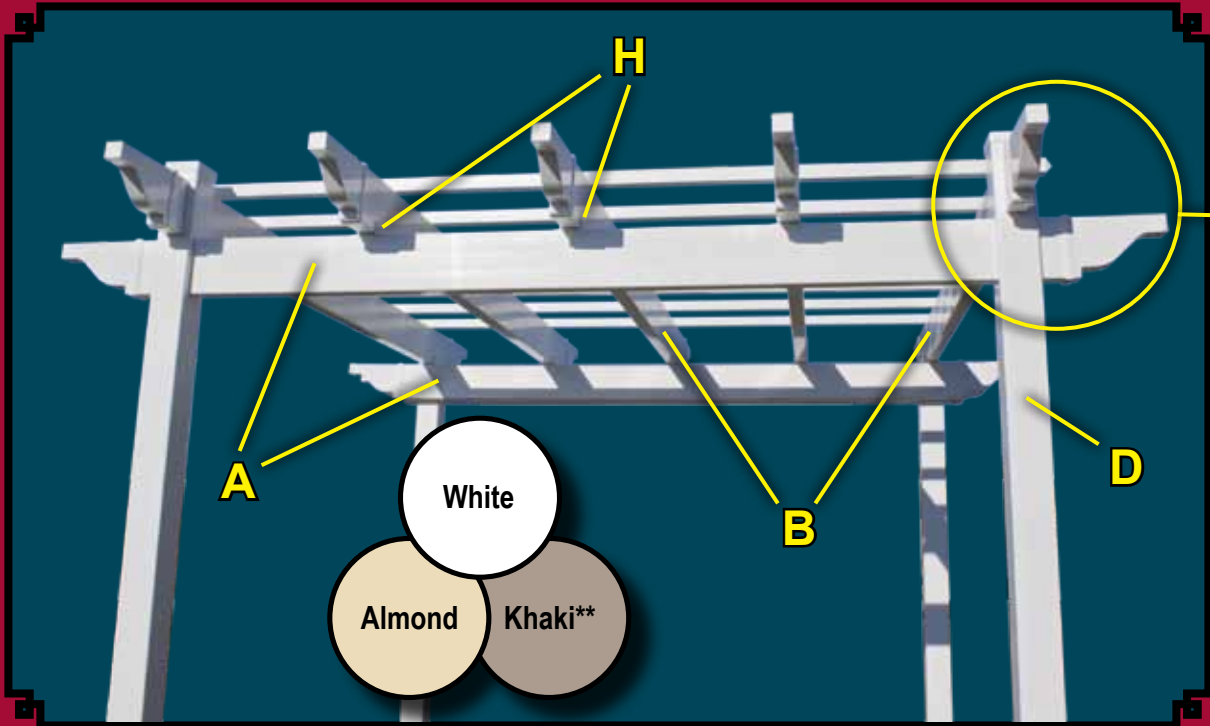


1. - Ribbed (2" x 6", 2" x 8")
2. - Hollow (2" x 3½", 2" x 6", 2" x 8")
3. - Hollow w/Aluminum Insert (2" x 6")
4. - Example of Hollow w/Lumber (lumber not included)

NOTE: Treated Lumber inserts are recommended for hollow headers and stringers.



*NOTE: Headers and Stringers may span up to 14 feet between posts/columns with aluminum or lumber inserts.



**NOTE: Not all components are available in Khaki color.

**NOTE: In-Ground Assembly post approximately 36-inches into concrete.

Vinyl Pergola & Arbor Systems



Your Authorized Dealer:

